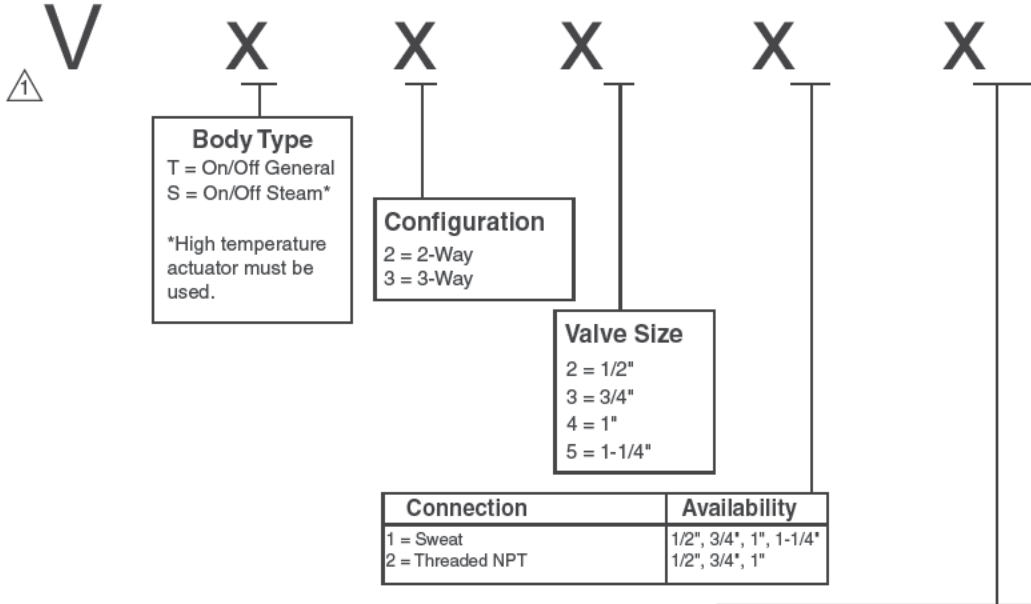


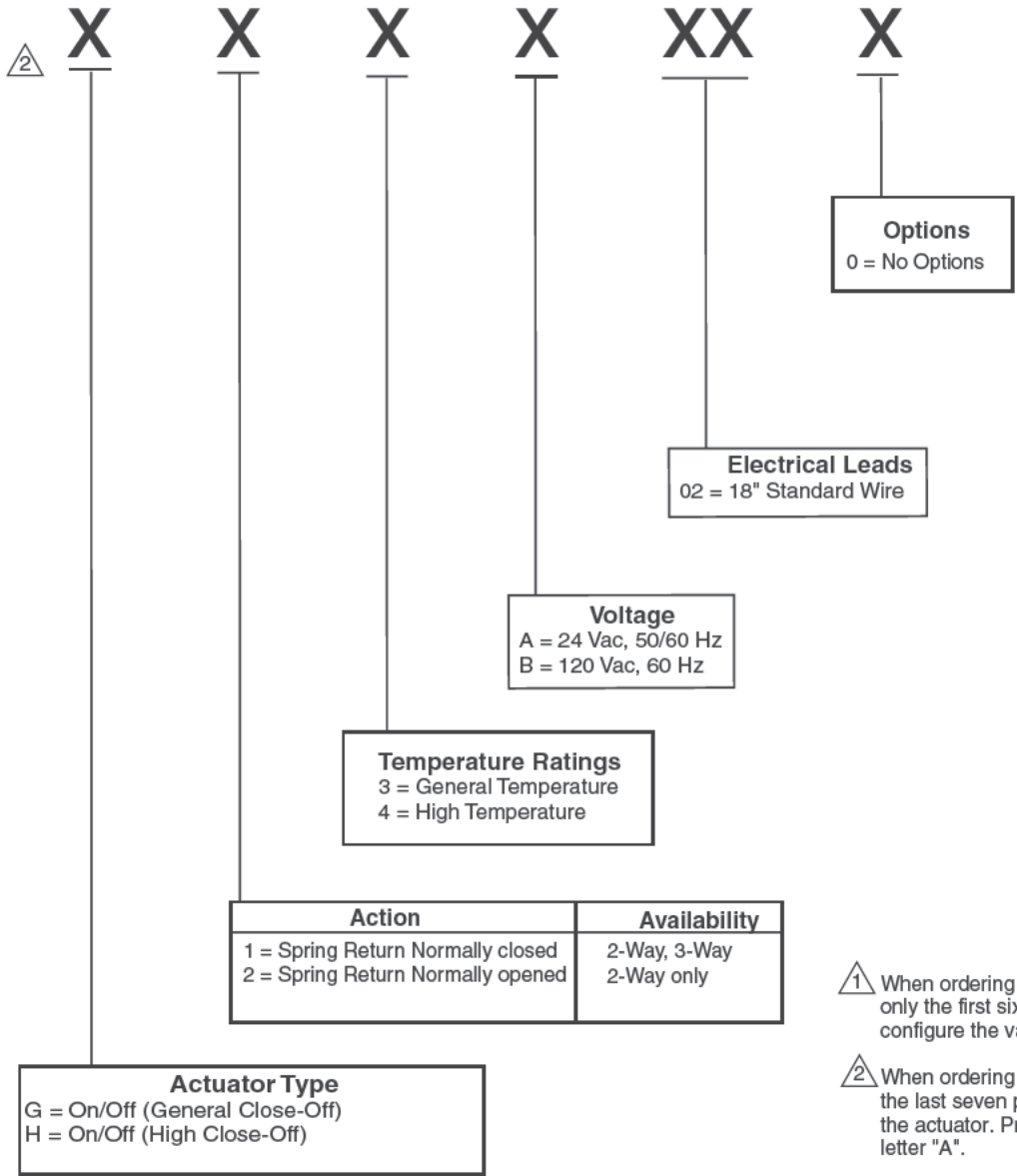
Two-Position Zone



CV Size				
		Size	Connection Type	
	2-way	3-way		
1 =	1.0	1.5	1/2"	1, 2
2 =	2.5	3.0	1/2"	1, 2
			3/4"	1, 2
3 =	3.5	4.0	1/2"	1, 2
			3/4"	1, 2
			1"	1
5 =	5.0	5.0	3/4"	1, 2
			1"	1
7 =	7.5	7.5	3/4"	1, 2
			1"	2
			1-1/4"	1

Kvs Size				
		Size	Connection Type	
	2-way	3-way		
1 =	0.8	1.0	1/2"	1, 2
2 =	2.2	2.6	1/2"	1, 2
			3/4"	1, 2
3 =	3.0	3.5	1/2"	1, 2
			3/4"	1, 2
			1"	1
5 =	4.3	4.3	3/4"	1, 2
			1"	1
7 =	6.5	6.5	3/4"	1, 2
			1"	1"
	7.0	7.0	1"	1, 2
			1-1/4"	1

Valve Assemblies



Action	Availability
1 = Spring Return Normally closed	2-Way, 3-Way
2 = Spring Return Normally opened	2-Way only

Actuator Type
 G = On/Off (General Close-Off)
 H = On/Off (High Close-Off)

- ⚠ When ordering valve body, use only the first six positions to configure the valve.
- ⚠ When ordering actuator, only use the last seven positions to configure the actuator. Prefix with the letter "A".

Body & Actuator Combination Requirements	
Temperature Configurations	
Body Configuration <u>V</u> T X X X X T = General S = Steam If body configuration is T, actuator temp rating can be 3 or 4. If body configuration is S, actuator temp rating must be 4.	Actuator Spring Return Mode A X X <u>3</u> X X X X 3 = General Temperature 4 = High Temperature If actuator temp rating is 3, body style must be T. If actuator temp rating is 4, body style can be S or T.